

■ PIA-2DO-8

Provox™ 20 series Interface Adapter for migration toward a new system

Description:

The Provox Interface Adapter **PIA-2DO-8** allows to easily connect an existing 16-channel Discrete Input Provox Termination Panel to two 8-channel Discrete Output card.

It is easy to install the **PIA-2DO-8** in the existing I/O card file type CP6701, at the place occupied by the Provox I/O card.

The Provox cable (SUBD37F/SUBD37M) between the termination panel and the Provox I/O card is kept in place, and then plugged to the SUBD37F connector (J1) of the **PIA-2DO-8** unit.

The connection to the new two 8-channel Discrete Input cards is done using two shielded cables, with a SUBD25F connector at one end, and labelled flying wires or a suitable connector matching with the new system Discrete Input card used at the other end.

The power supply cards of the existing CP6701 card file are no longer necessary. So they can be removed and replaced with a metallic front plate.

Technical specifications:

Mounting:

In an existing CP6701 card file, in place of the existing Provox I/O card.

Dimension:

Height: 261.8mm, Width: 20mm, Depth: 50mm

Weight:

About 200g

Temperature range :

Operating : -10°C to 60°C

Storage : -20°C to 60°C

Relative humidity:

10 to 90% (no condensation)

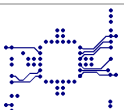
Wiring:

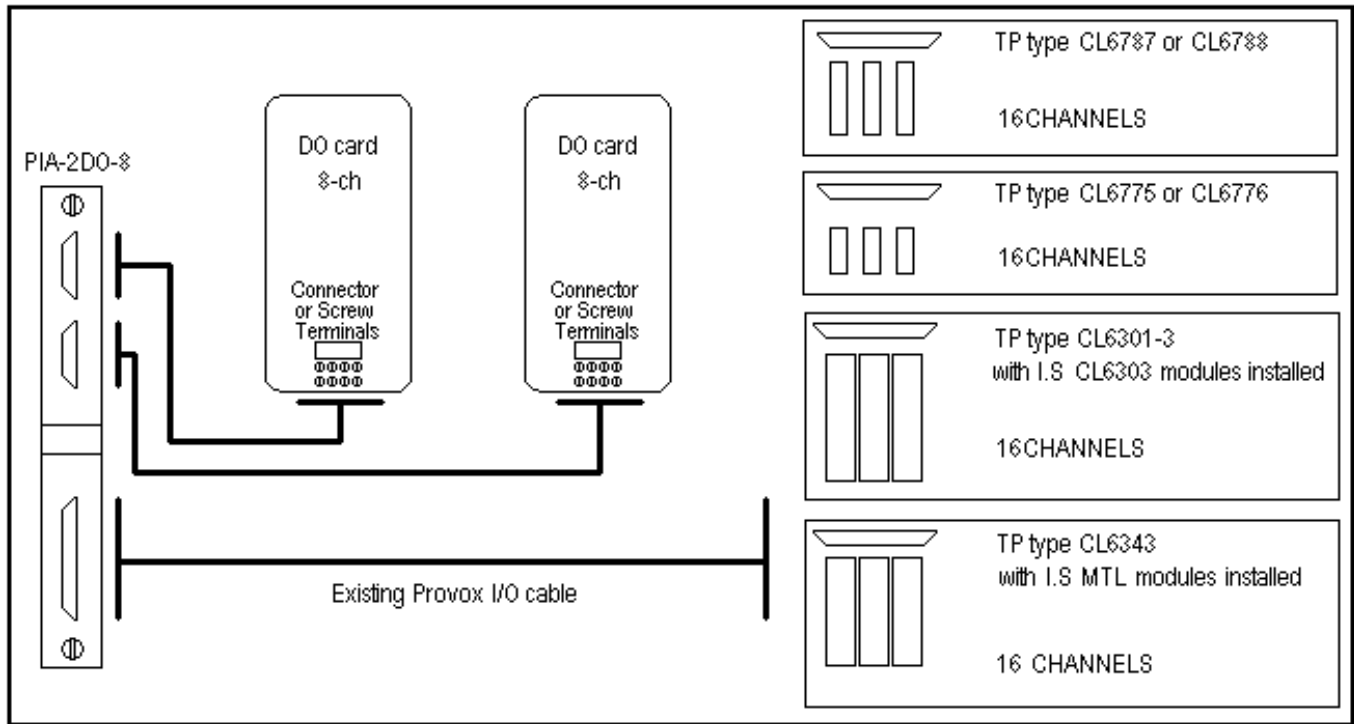
Two SUBD25M connectors (J2 and J3) with UNC 4-40 female lock for the connection to two 8-channel Discrete Output cards.

One SUBD37F connector (J1) with UNC 4-40 female lock for the connection to the existing I/O Provox cable.

Compatible Provox Termination Panel:

CL6787 or CL6788, CL6775 or CL6776, CL6343 and CL6301-3 Termination Panel can be interfaced by the PIA-2DO-8



Connection using two 8-channel Discrete Output cards:

Connection using two 8-channel Discrete Output Redundant cards:
