

■ BC-11406

Plate Mount Rack for Firelec ADP-TSX series migration adapters

Description :

The **BC-11406** provides an easy and efficient way of mounting and wiring for FIRELEC migration adapters of the ADP-TSX series.

It allows the connection of up to 8 ADP-TSX to a Distributed Control System (DCS), or to a Programmable Logic Controller (PLC).

It is particularly suitable for Telemecanique TSX7™ system migration for installation of ADP-TSX series adapters.

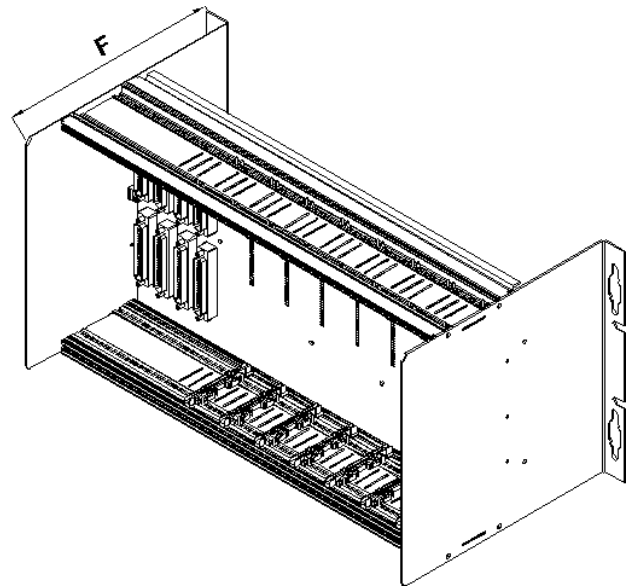
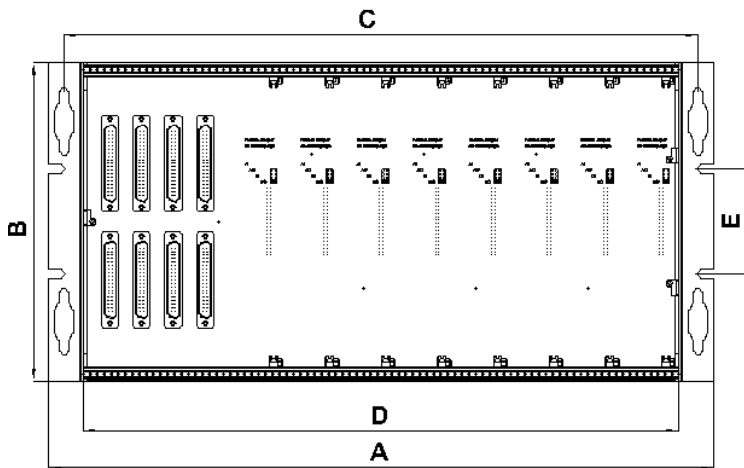
Product options :

Option -1 : *BC-11406-1* For remote installation of the DCS controller or PLC (in another cabinet)

Option -2 : *BC-11406-2* For installation of the DCS controller or PLC on the front of the rack (instead migration)

Option -3 : *BC-11406-3* For remote installation of the DCS controller or PLC (in another cabinet). With power supply distribution.

Option -4 : *BC-11406-3* For installation of the DCS controller or PLC on the front of the rack (instead migration). With power supply distribution.



Dimensions :

A : 481,5 mm

B : 230,55 mm

C : 460,1 mm

D : 431,8 mm

E : 76 mm

F : 235 mm

Technical Specifications :

Total weight : 3,850 Kg

Material : Stainless Steel 316L (minor parts may made by non-SS)

Connection to the DCS or to the PLC cards : by 8 x Sub-D 37 pin male connectors with UNC 4-40 female lock.

Up to 8 FIRELEC adapters of the ADP-TSX series can be mounted.

Optional plates can be used to cover the empty slots.

