

■ INT-DI322a-F-L

32ch - Discrete Input with LED and fuses for dry contacts or proximity switches

Description :

The **INT-DI322a-F-L** interface unit is a remote termination panel that allows to connect up to 32 discrete inputs to a Distributed Control System (DCS), or a Programmable Logic Controller (PLC).

Each channel is protected by a removable fuse and the status is indicated by a yellow LED

Installed in a remote cabinet, the **INT-DI322a-F-L** interface unit receives the digital inputs from dry contacts or proximity switches.

The connection to the Discrete Input card is done using a shielded (or not) cable, with a female SUBD 37 pin connector at one end, and labeled flying wires or a suitable connector matching with the Discrete Input card at the other end.

If a shielded cable is used (metallic cover mandatory), a screw marked "Shield" allows to ground the unit.

The **INT-DI322a-F-L** must be powered by an external 24Vdc power supply using the TB2 connector.

Product Option :

Option **ST** : INT-DI322a-F-L-**ST**, Screw terminals for the process signals connection

Option **CCT** : INT-DI322a-F-L-**CCT**, Cage clamp terminals for the process signals connection

Option **VSH** : Conformal coating (Tropicalization)



Technical specifications :

Dimensions :

Length : 185mm
Width : 125mm
Height : 65mm

Weight :

320g

Temperature range :

-10°C to 60°C

Humidity :

Up to 90% (no condensation)

Mounting :

Asymmetric or Symmetric DIN rail

Connection to the DCS or to the PLC :

- 1 x Sub-D 37 pins male with UNC 4-40 female lock
- 1 x screw terminals (TB2) dedicated to the 24Vdc power supply.
- 1 x M3 screw for shield connection

Input Wiring :

TB1 : Inputs

ST : 26 to 14 AWG (0,14 to 1,5mm²)

CCT : 24 to 12 AWG (0,2 to 2,5mm²)

TB2 : Return of system PSU

ST : 26 to 14 AWG (0,14 to 1,5mm²)

Withstanding voltage rating :

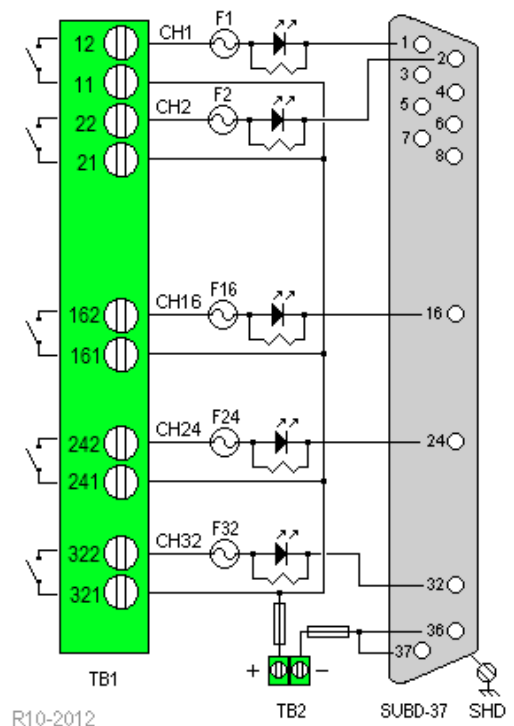
250V RMS between non connected signal

Power supply protection :

Two removable fuse 1A (5x20)

Channel protection :

One removable fuse 0.25A 125V



R10-2012

