

■ INT-DO32-F-DIR

32 channels – Direct Discrete Outputs

Description :

The **INT-DO32-F-DIR** interface unit allows to connect up to 32 Discrete Outputs to a Distributed Control System (DCS), or a Programmable Logic Controller (PLC).

The connection to the new Discrete Output cards is done using a shielded cable, with a D-SUB 37F connector at one end, and labeled flying wires or a suitable connector matching with the new system Discrete Output card used at the other end.

Each channel is protected by a replaceable fuse*

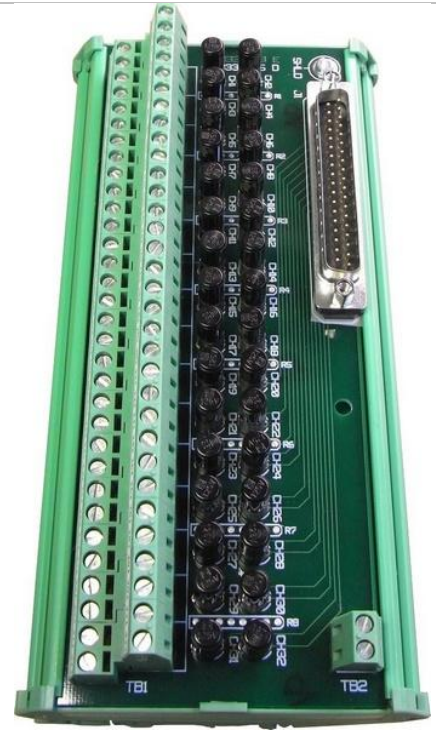
*The value of the fuse is 0.5A in standard. For other value, please consult us.

Product options :

Option **ST** : **INT-DO32-F-DIR-ST**, Screw terminals for the process signals connection

Option **CCT** : **INT-DO32-F-DIR-CCT**, Cage clamp terminals for the process signals connection

Option **VSH** : Conformal coating (Tropicalization)



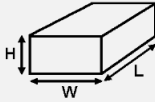
Technical specifications :

Dimensions :

Length : 178 mm

Width : 77 mm

Height : 52 mm



Weight :

250 g

Temperature range :

Operating : 0°C to 50°C

Storage : -10°C to 60°C

Humidity :

Up to 90% (no condensation)

Mounting :

Asymmetric or symmetric DIN rail

Shield connection :

1 x M3 screw

Connection to the DCS or to the PLC :

1 x D-Sub 37 pin male connector with UNC 4-40 female lock.

1 x screw terminal (TB2) allows an optional connection to the 24vdc power supply return (-) of the DCS or PLC.

Conductor cross section :

TB1 : Outputs connections

ST : 26 to 14 AWG (0,14 to 1,5mm²)

CCT : 24 to 14 AWG (0,2 to 1,5mm²)

TB2 : optional Power supply return (-)

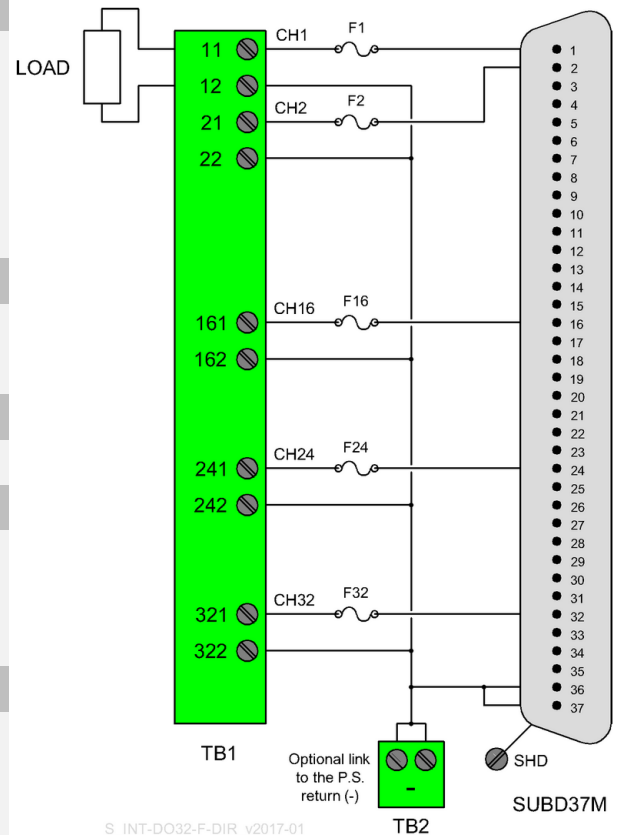
ST : 26 to 14 AWG (0,14 to 1,5mm²)

Insulation voltage :

1500 Vac between input (control signal) and output (contacts)

Max allowed current per channel :

1A



S_INT-DO32-F-DIR_v2017-01

